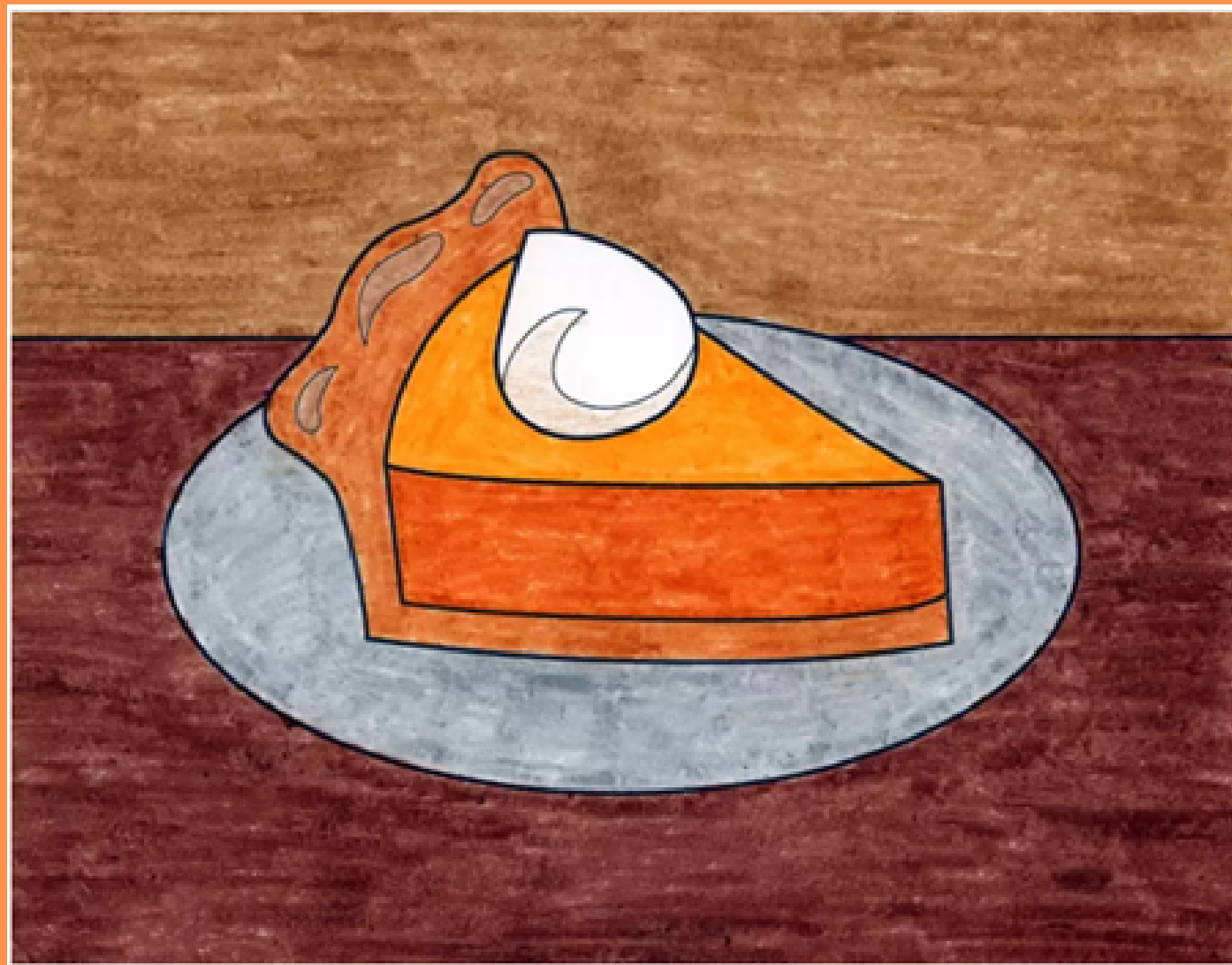


HOW TO DRAW A PIE SLICE - GRADES 7-12

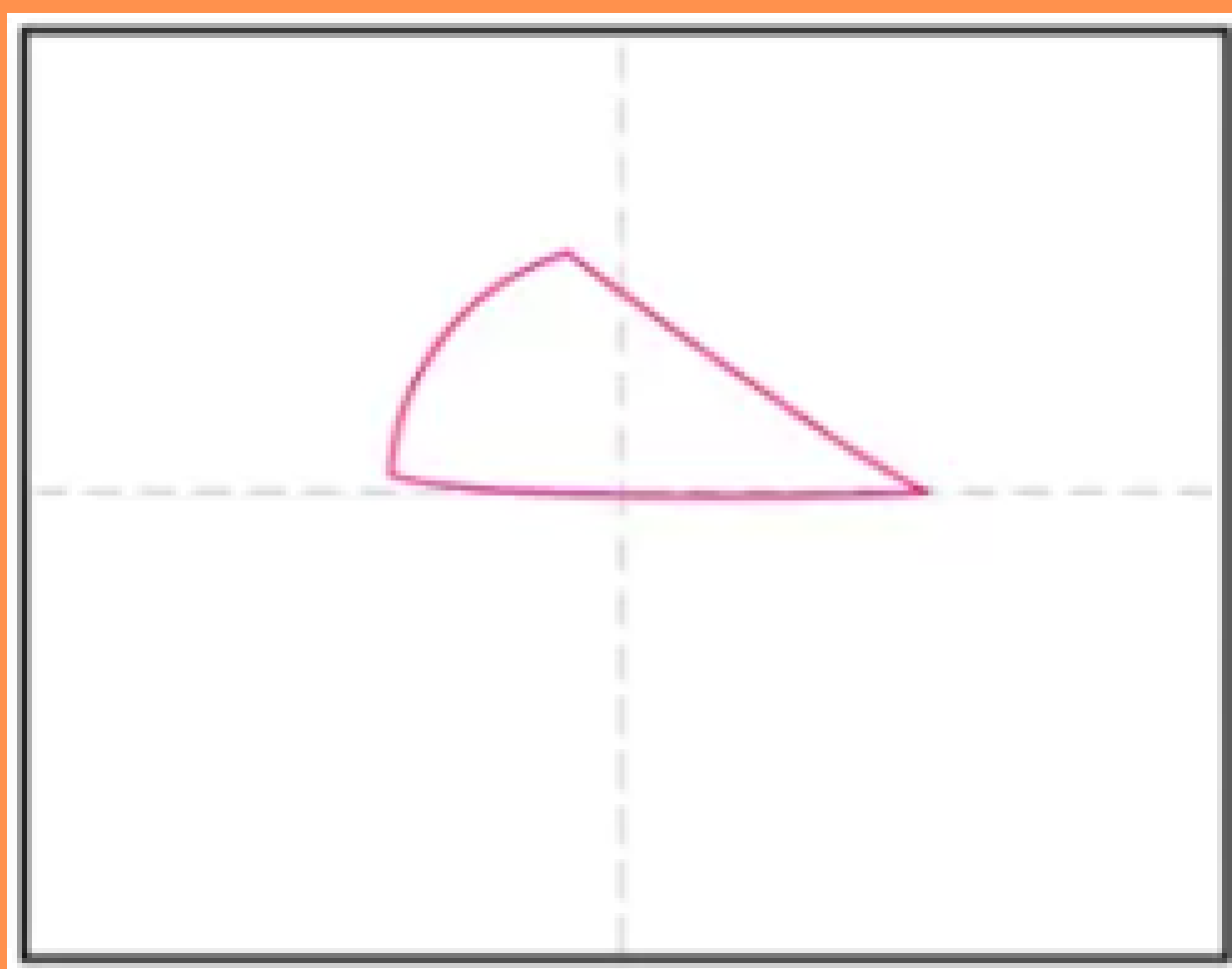
THIS LESSON TEACHES STUDENTS HOW TO DRAW
A SLICE OF PIE FROM START TO FINISH.

MATERIALS NEEDED: PAPER AND PEN, PENCIL,
MARKER, OR ANYTHING YOU'D LIKE TO DRAW
WITH!

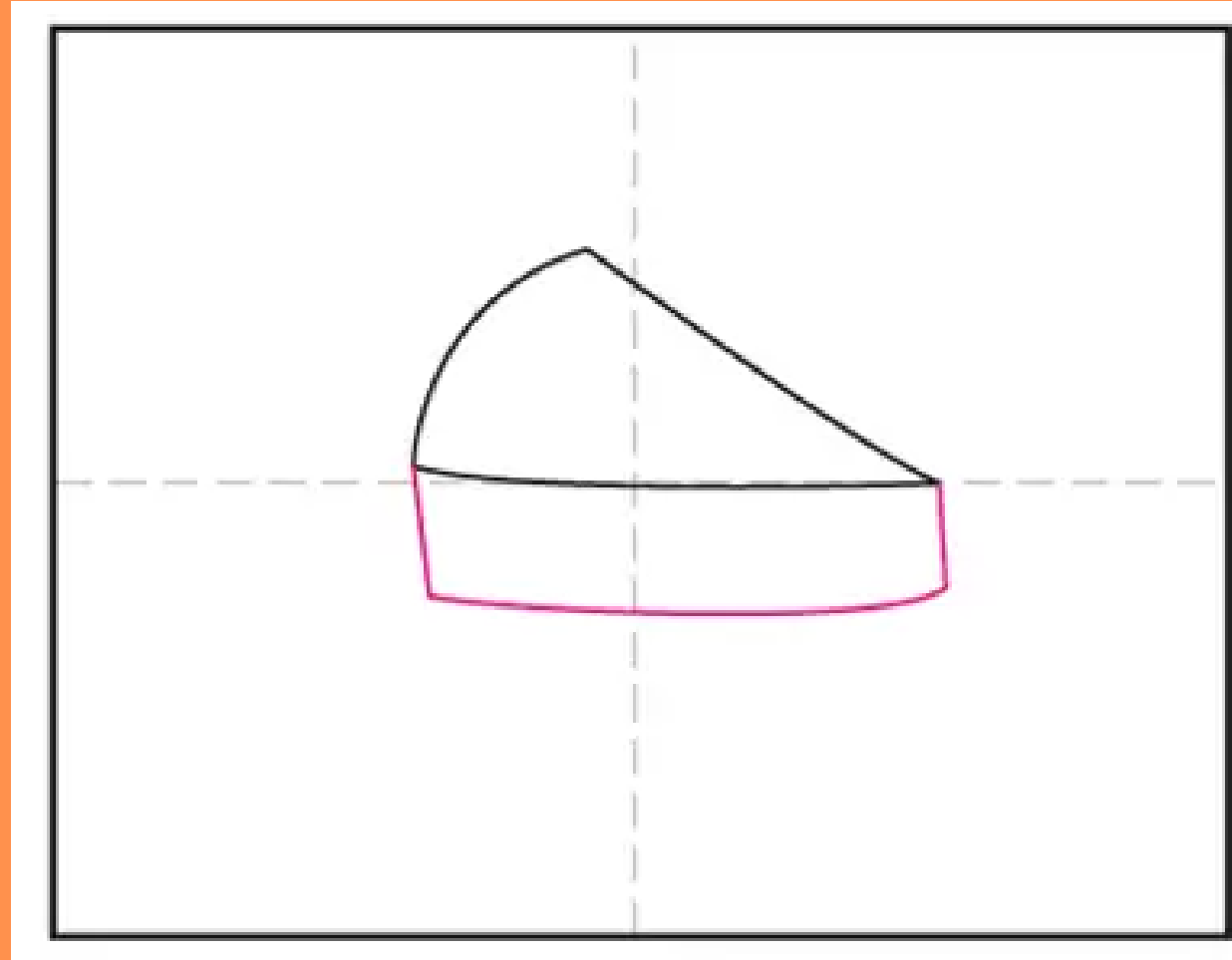


STEP 1.

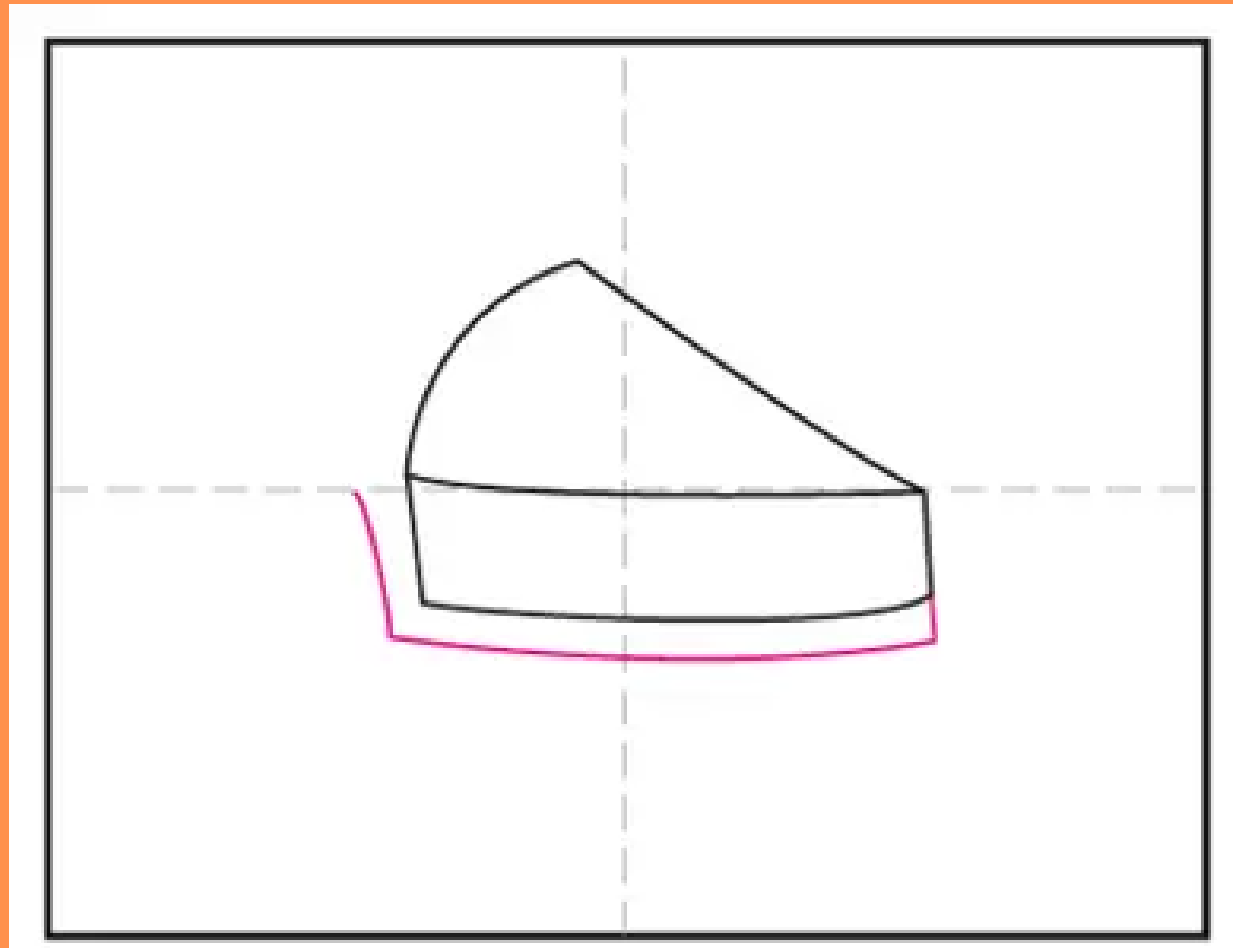
START THE TOP OF THE PIE WITH A TRIANGLE.



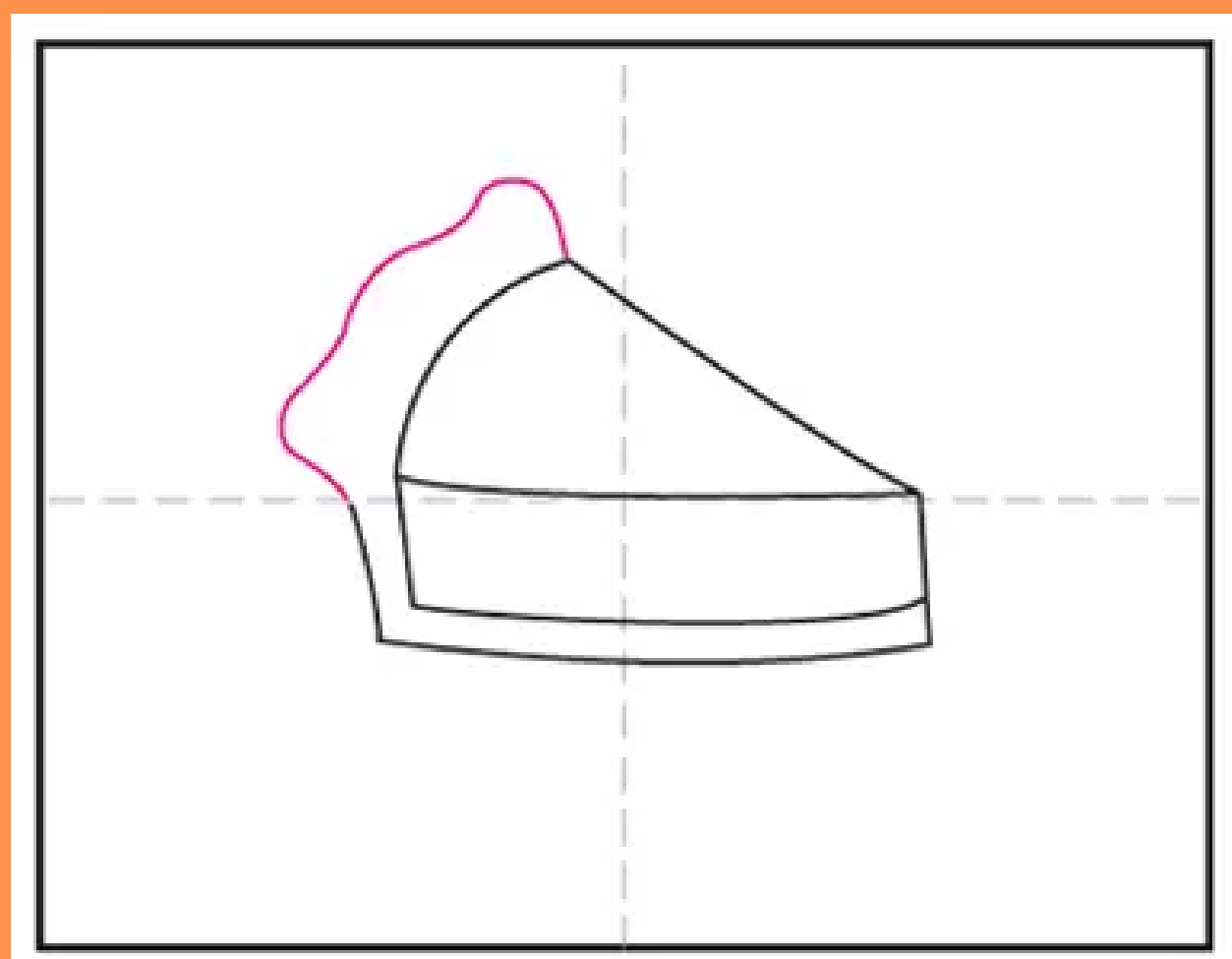
STEP 2.
ADD A RECTANGLE SHAPED SIDE.



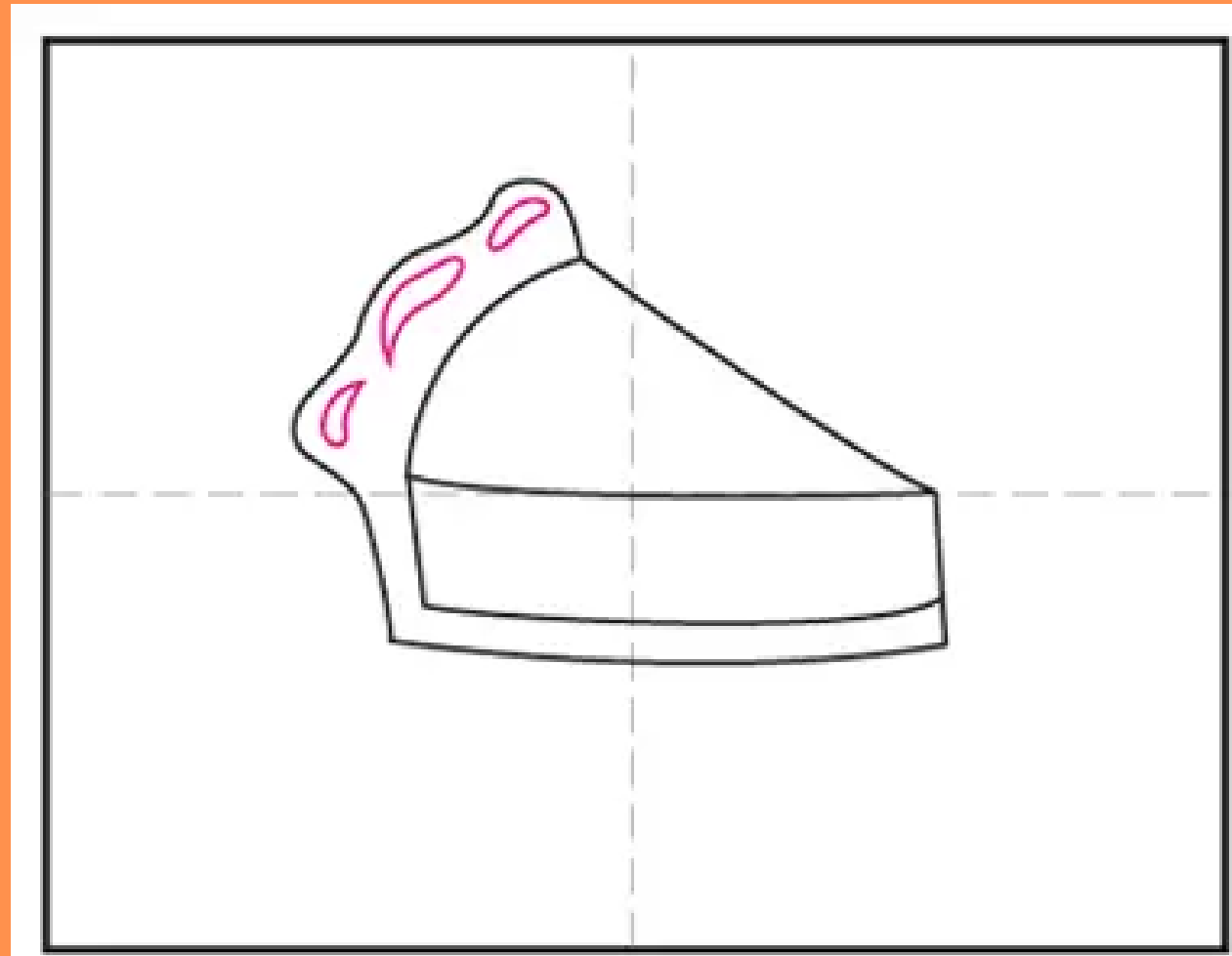
STEP 3.
START THE BOTTOM OF THE CRUST.



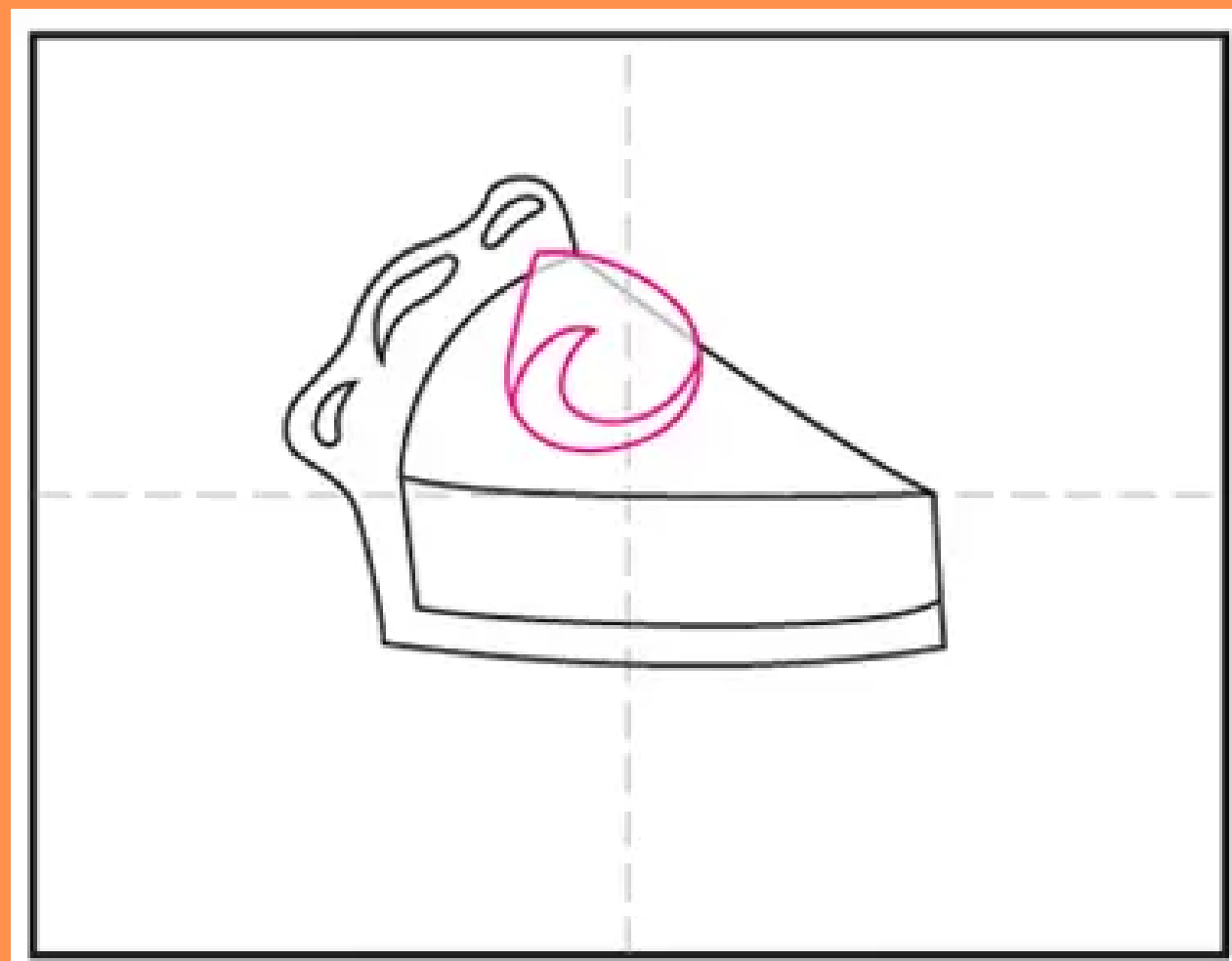
STEP 4.
FINISH THE TOP OF THE CRUST.



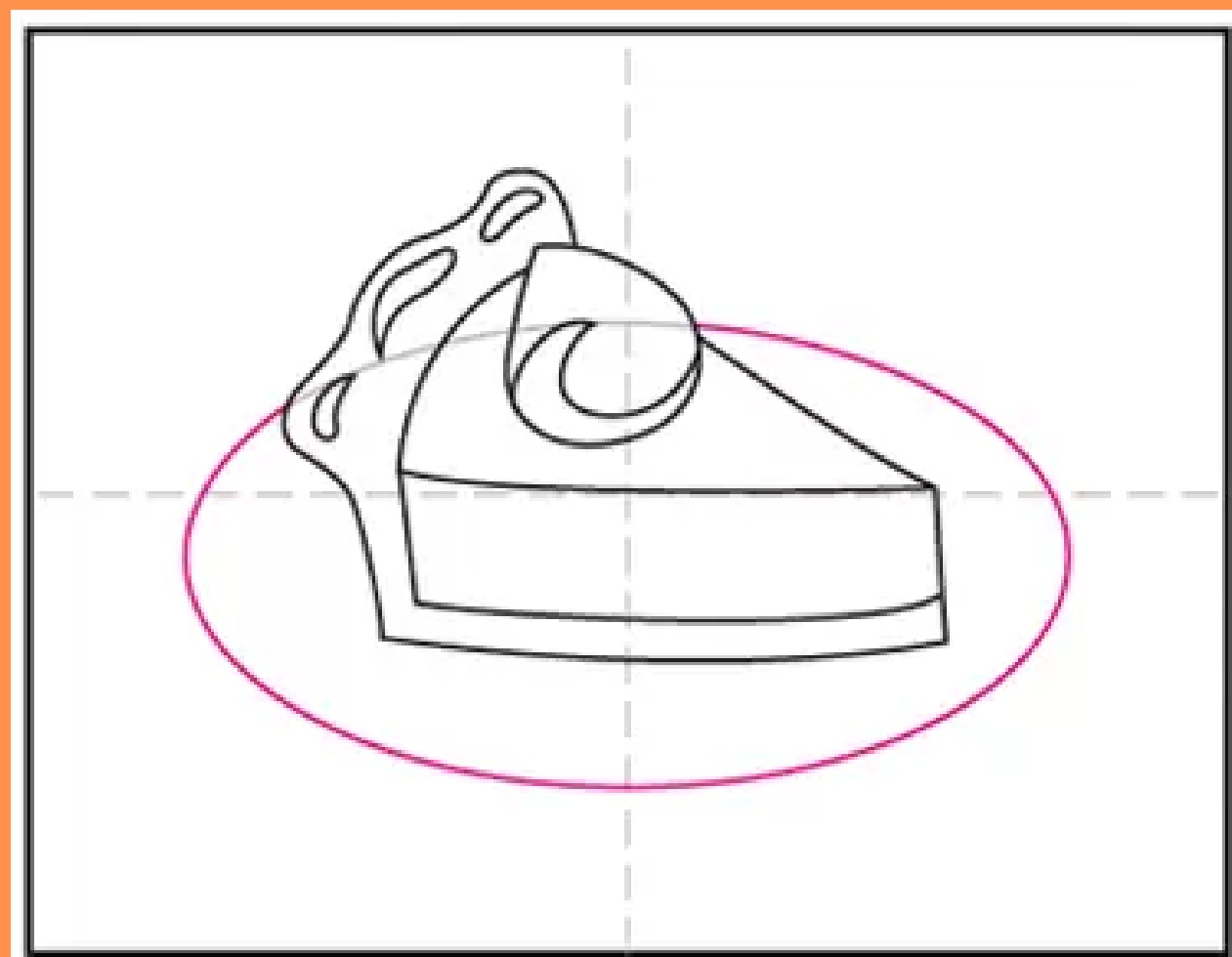
**STEP 5.
ADD BUMP SHAPES TO THE
CRUST.**



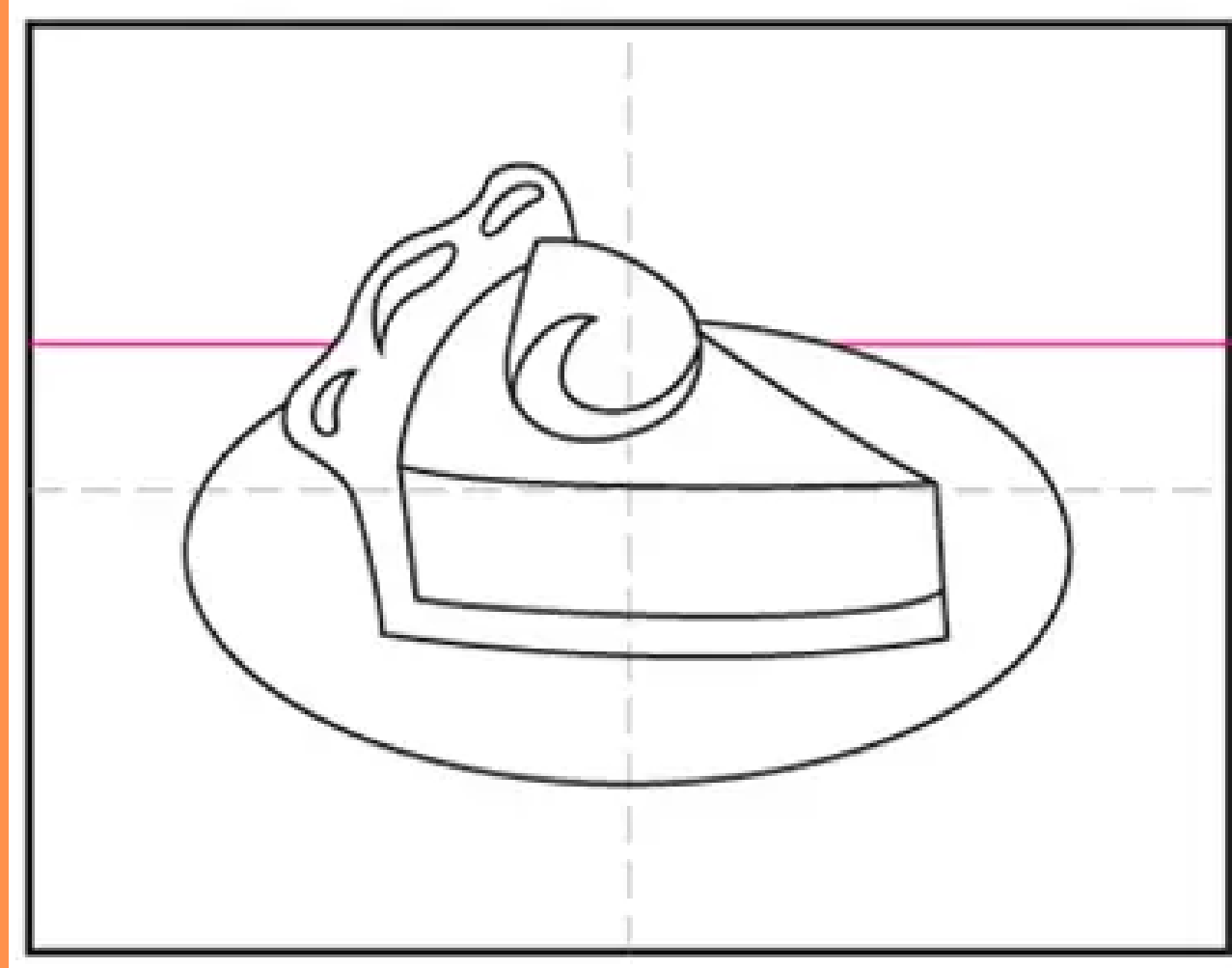
**STEP 6.
DRAW WHIP CREAM AND ERASE LINES INSIDE.**



**STEP 7.
DRAW AN OVAL PLATE IN THE BACKGROUND.**



STEP 8.
FINISH WITH THE TABLE LINE.



STEP 9.
USING MARKERS, CRAYONS, OR
COLORED PENCILS, COLOR IN THE PIE
SLICE.

