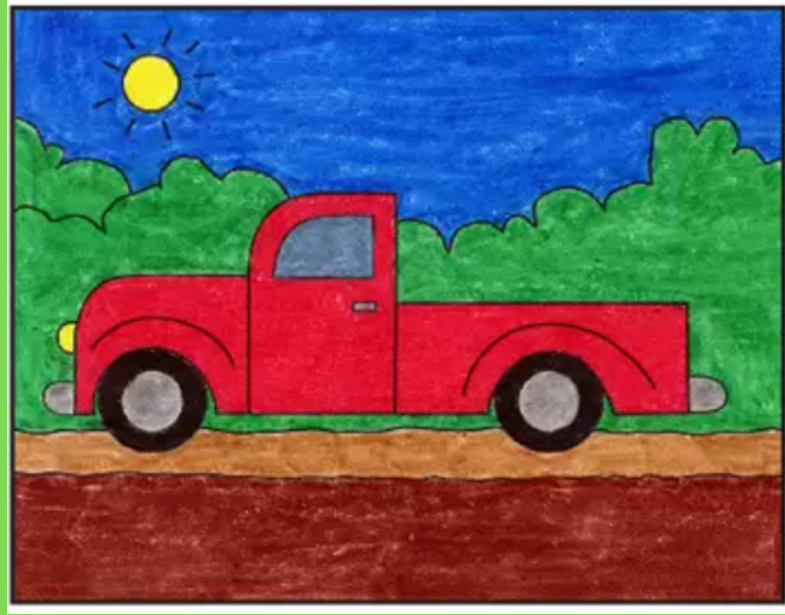


Drawing a Truck Using Fractions - Grades 5-12



This drawing teaches students how to prepare and execute a drawing using fractions as a basis. Students begin with pencil then progress to color.

WHAT YOU NEED:

Ruler

Pencils

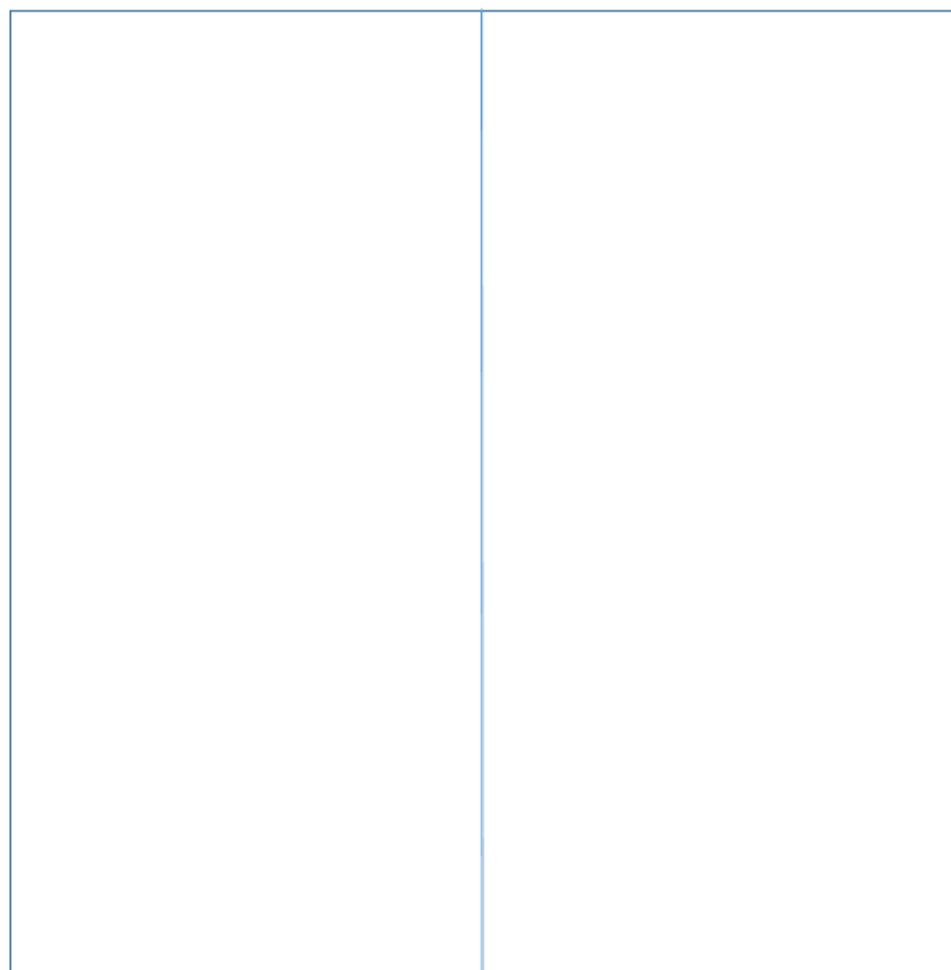
Paper

Colored pencils or crayons or pastels or markers

Sharpie

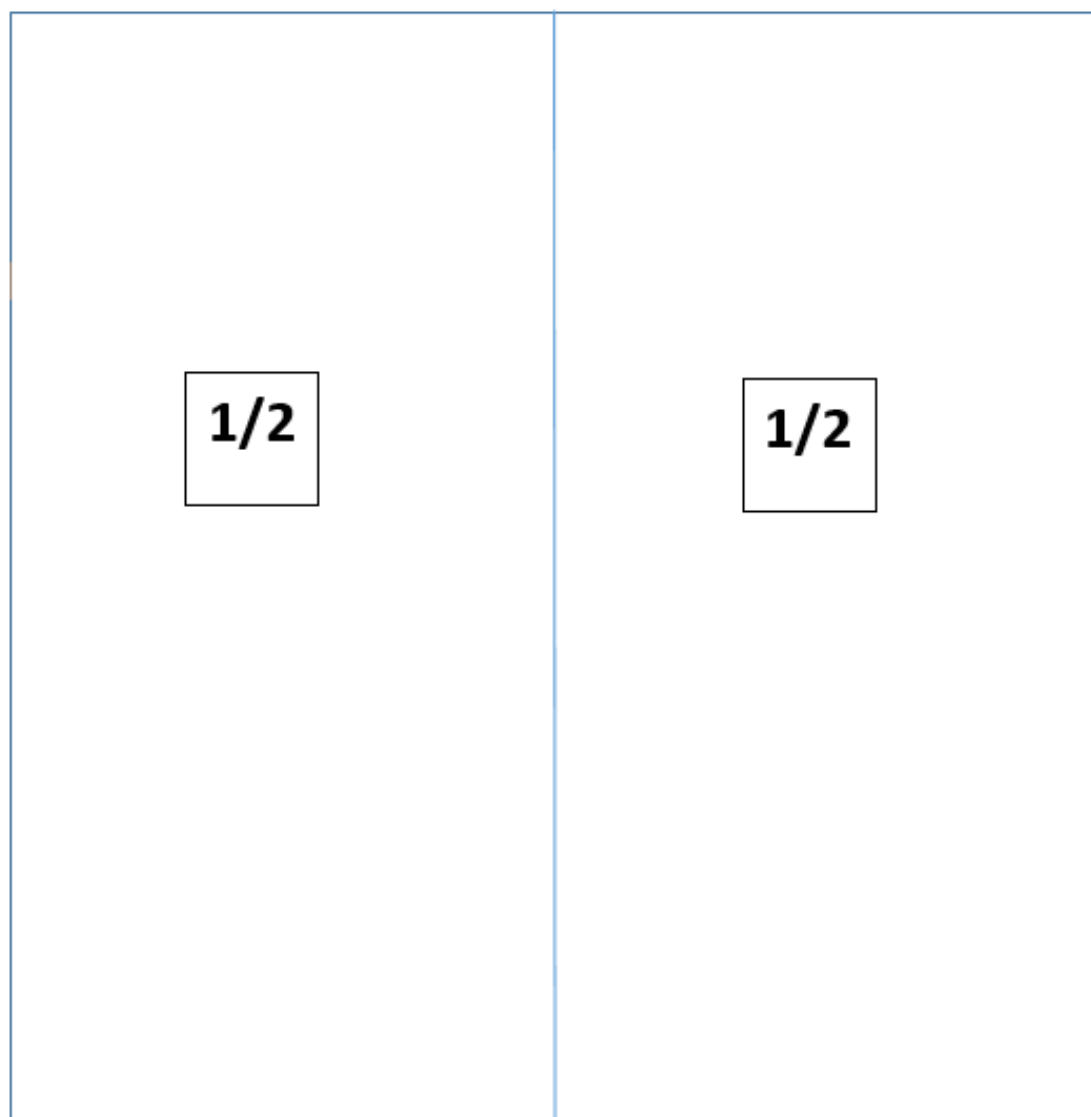
The first thing we have to do is prepare our drawing paper.

Take your ruler and draw a line down the middle from top to bottom.



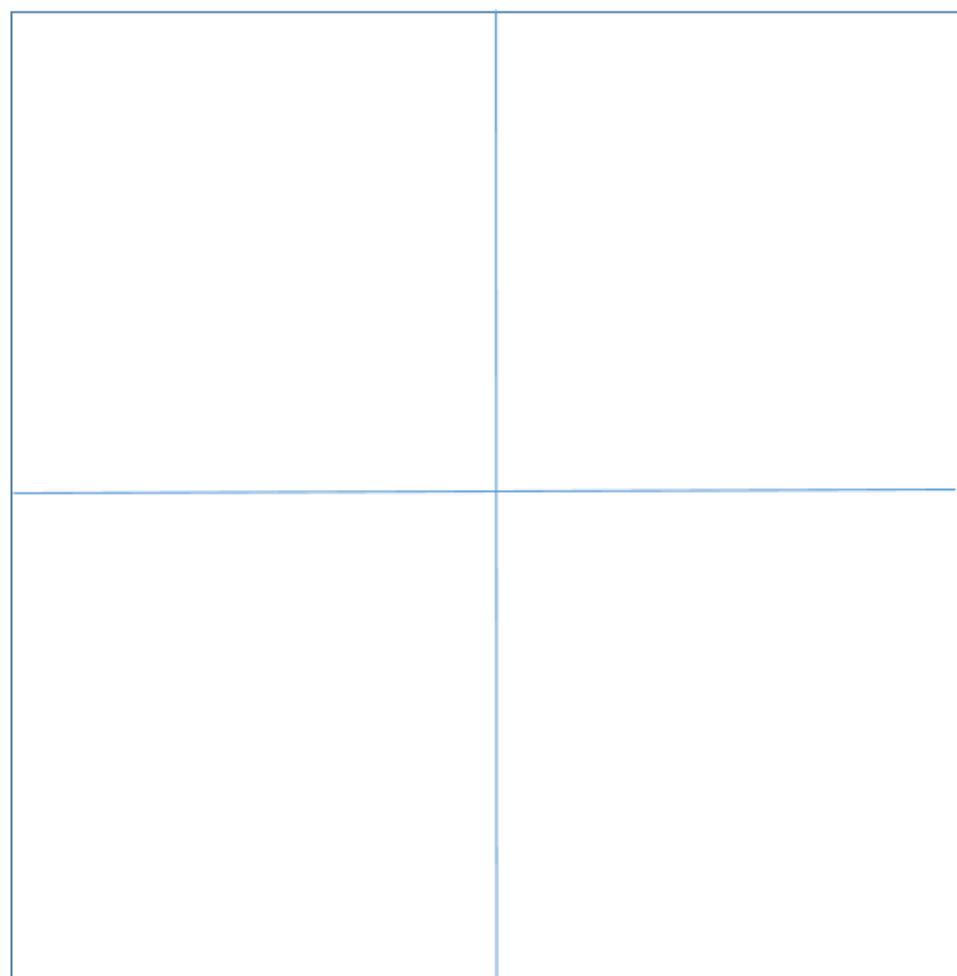
Now we have 1 piece of paper that is divided in half.

Each side equals $\frac{1}{2}$.

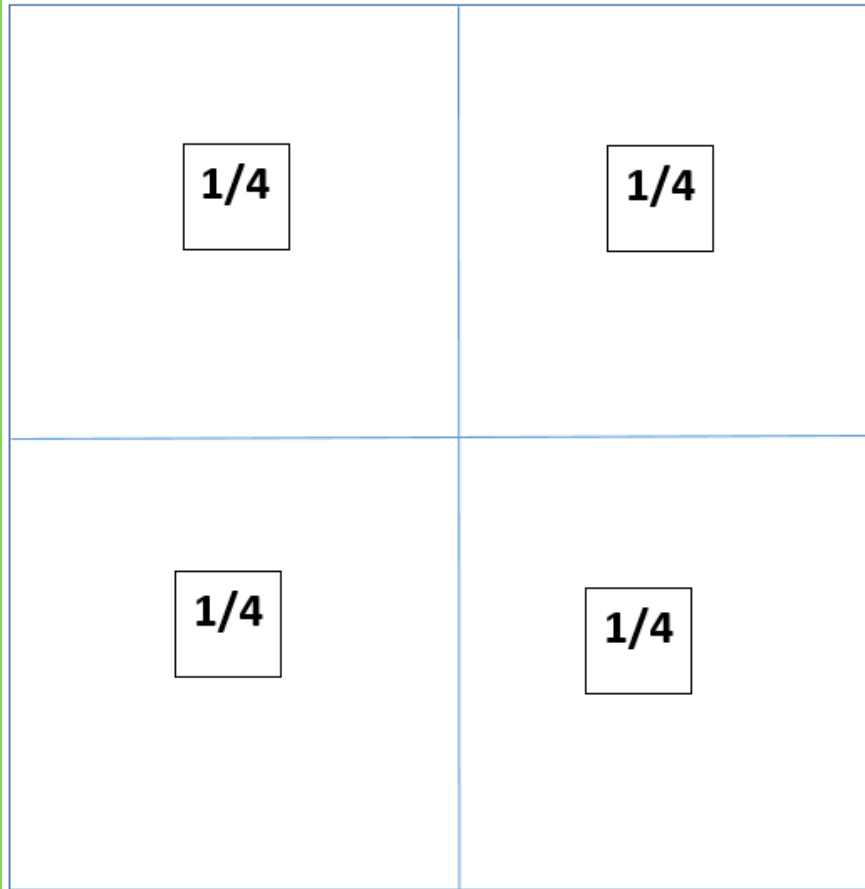


Next we will divide the paper again.

This time we will draw a line across the middle to create 4 squares.



Each square equals one fourth or $\frac{1}{4}$.



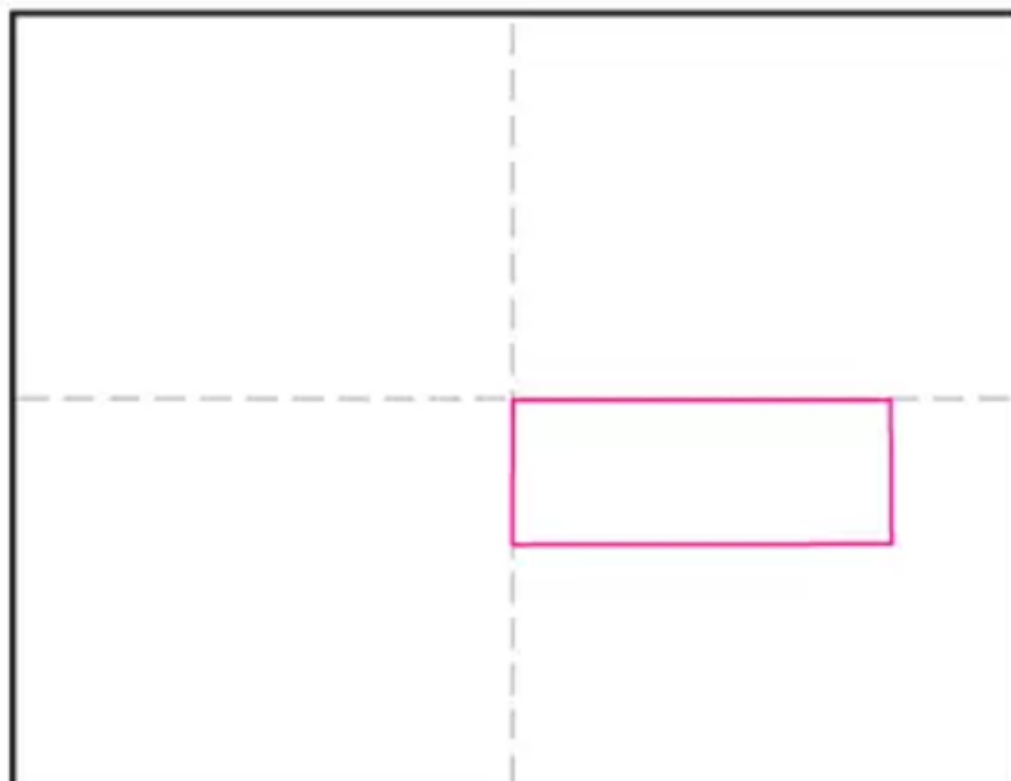
OK! There you have it! 1 whole page divided in half equals $\frac{1}{2}$ on each side. Dividing each side again equals 4 quarters or each square equals $\frac{1}{4}$. Another way to look at this is:

$$1 \div 2 = \frac{1}{2}$$

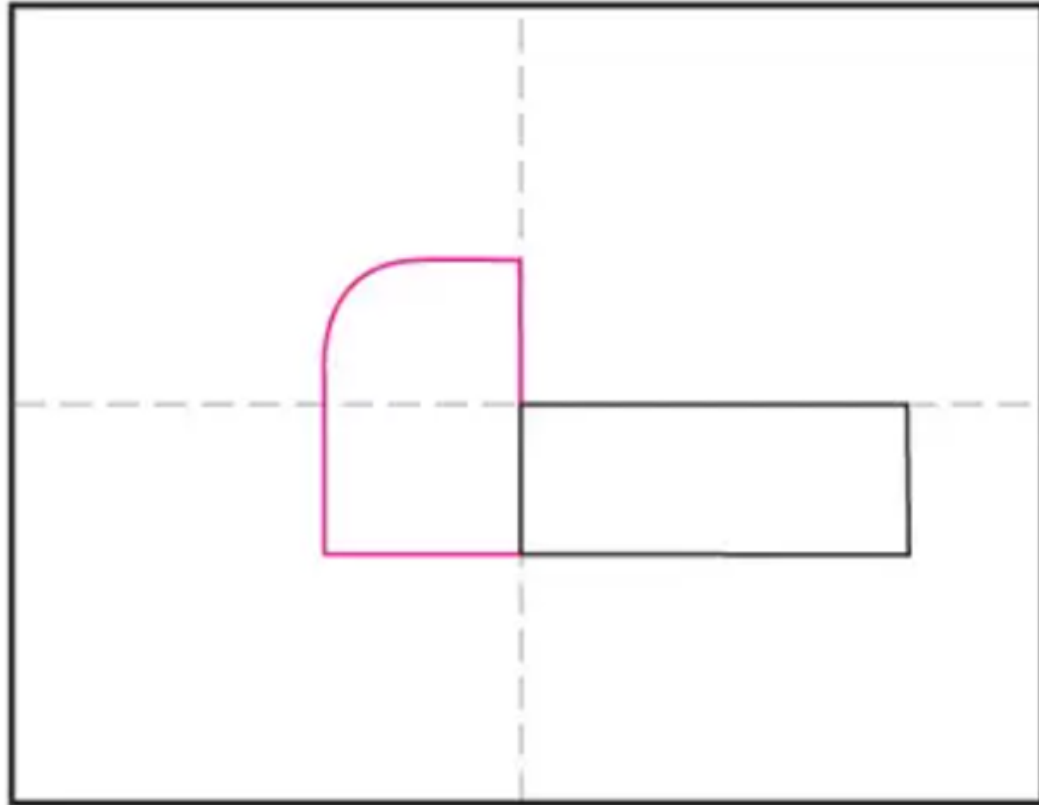
$$\frac{1}{2} \div 2 = \frac{1}{4}$$

Now Let's Draw!

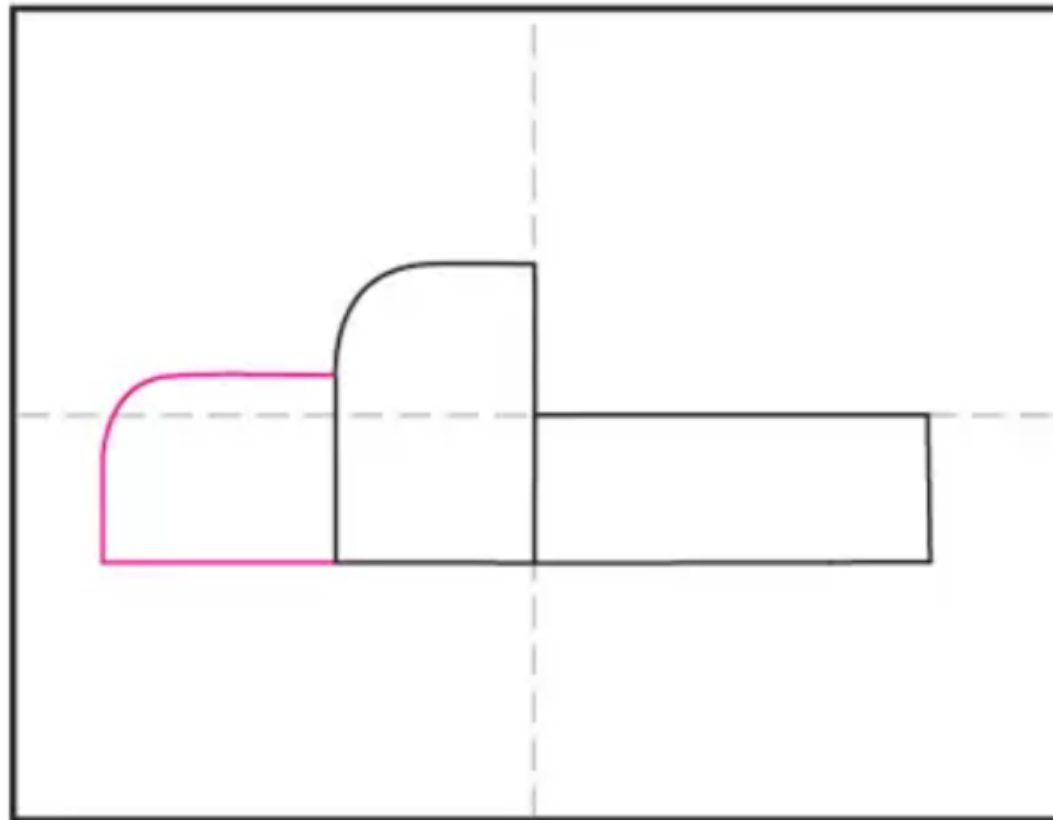
1. Draw a rectangle.



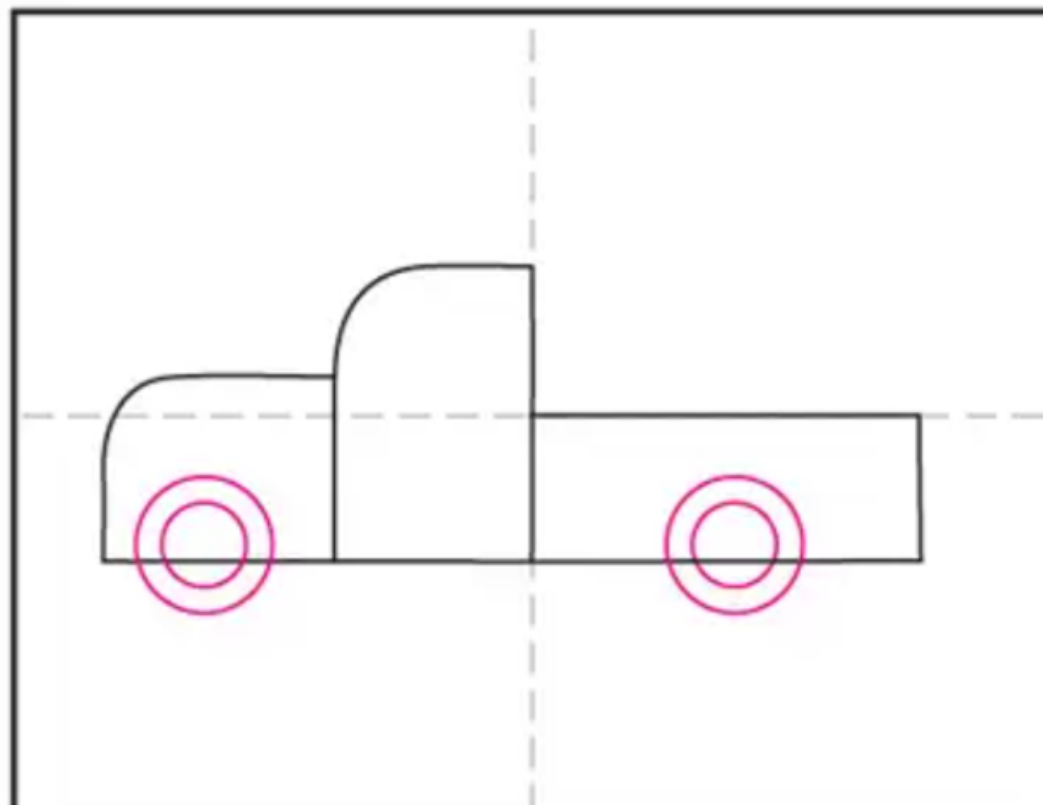
2. Add the cab shape.



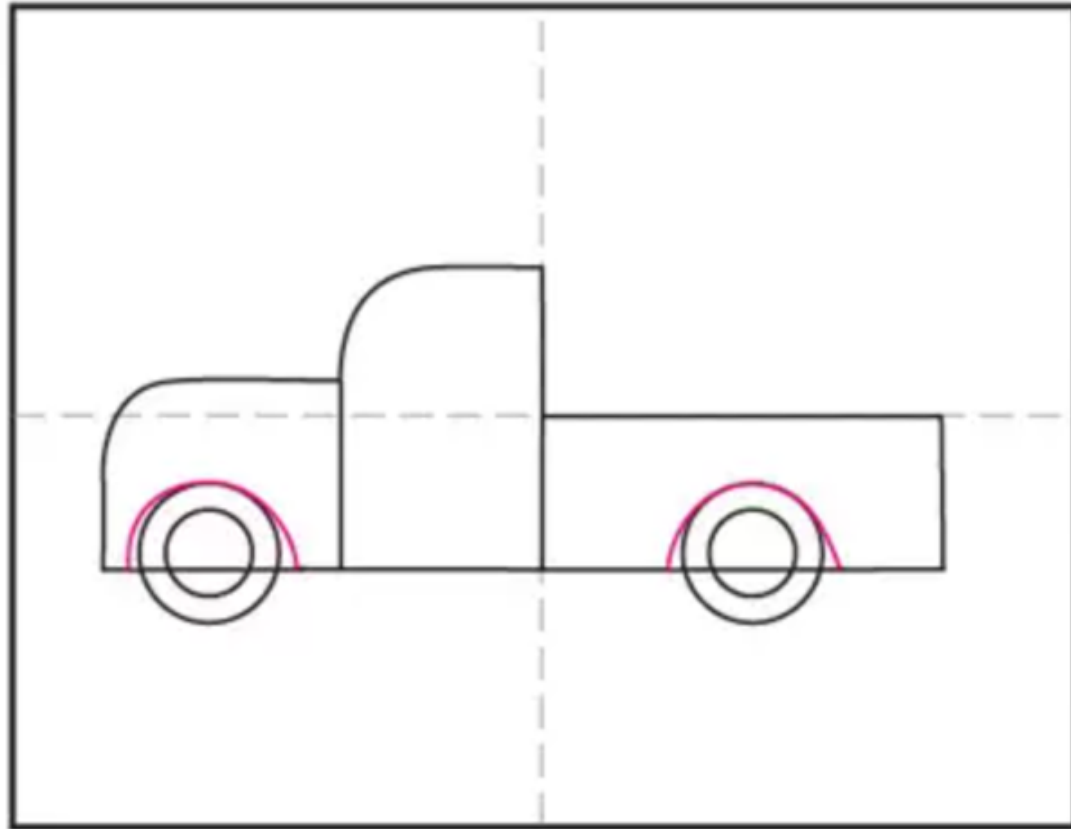
3. Add the front end.



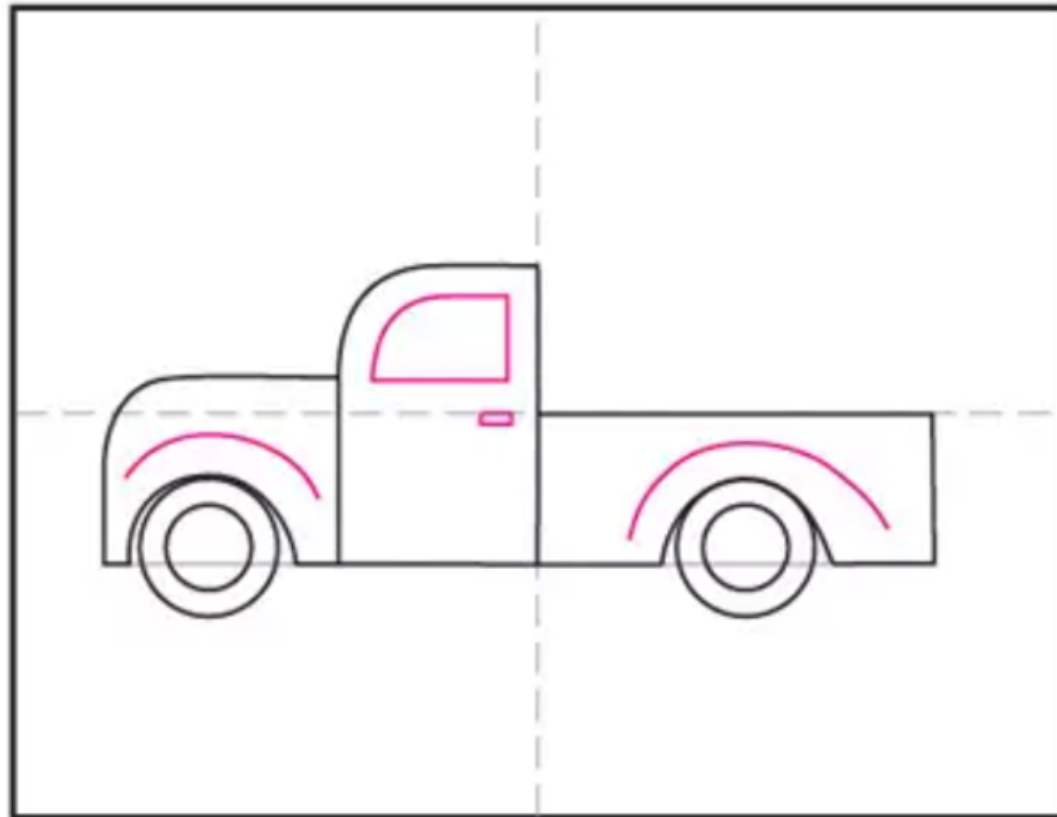
4. Draw wheels with rims inside.



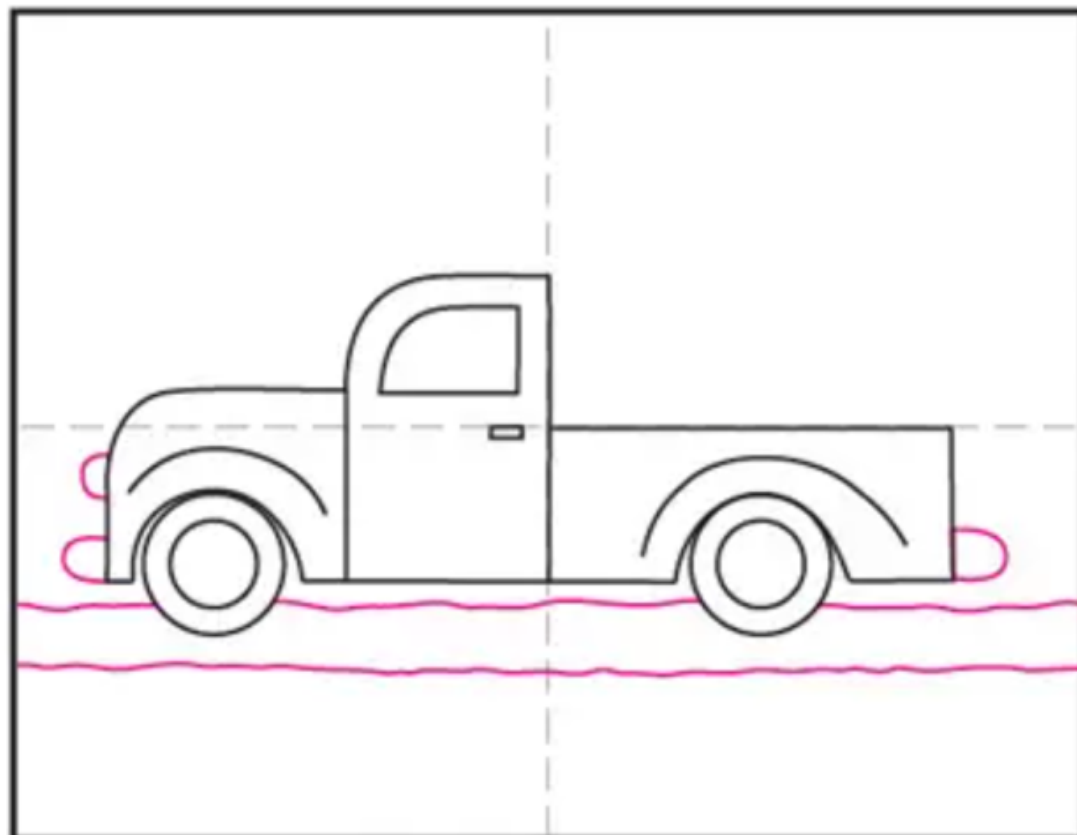
5. Draw wheel openings.



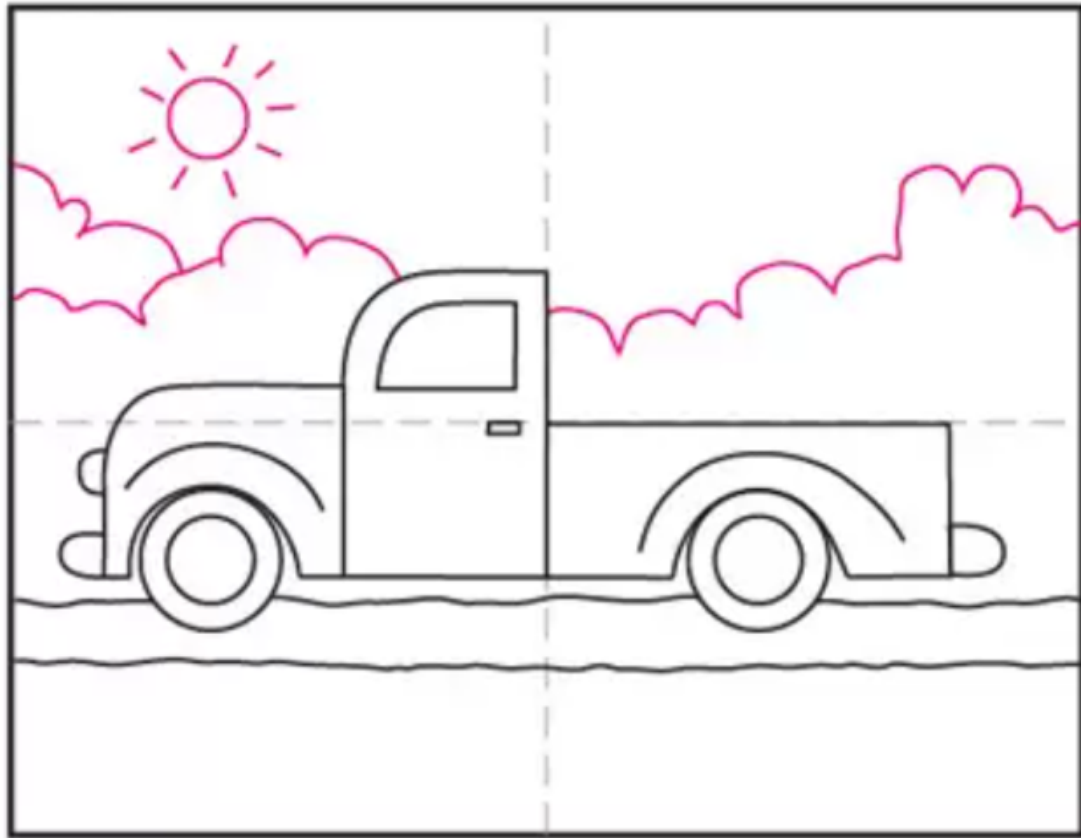
6. Erase lines, add details and window.



7. Draw lights, bumper and road.



8. Finish with a background and sky.



9. Trace with marker and color.

